

**MULTIPURPOSE VINYL**



**FITNESS LOCKERS  
& SPORT FLOORING**

# IN A CLASS ALL ITS OWN



**MADE FOR FITNESS**



**MANUFACTURED IN ROLLS**



**BEST-IN-CLASS WARRANTY**



**VIDEO INSTALL GUIDES**

[INFO@BUILTBYGRID.COM](mailto:INFO@BUILTBYGRID.COM) / 469.482.9800

MULTIPURPOSE VINYL

# SPORT FLOORING



## ALL IN ON ALL FITNESS.

Grid is your one stop manufacturing resource for fitness lockers, and sport flooring. From large scale fitness chains to boutique studios, Grid is all fitness, all the time. Our vinyl sport flooring is the perfect teammate for your next project, big or small. Corporate gyms, fitness centers, resorts and spas, athletic facilities, country clubs, rec centers and more.



## OUR VINYL SPORT FLOORING IS BUILT TO TAKE A BEATING.

Grid Vinyl is a 5/16" dual-layered sport flooring solution engineered for premier performance, shock absorption and hygienic maintenance. Designed with a honeycomb 3/16" shock pad fused to a 1/8" sport vinyl wear layer that will never de-laminate or fade, our heterogeneous vinyl top layer is combined with a specialty nano-poly technology resulting in a low-maintenance floor with zero stripping or waxing. It's so reliable, we back our vinyl with a 15-year wear warranty that is unheard of in our industry. Our vinyl provides industry-leading protection from scratches, shoe scuffs and indentations.

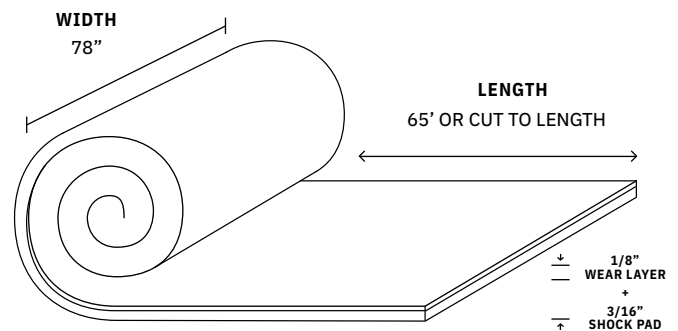
### FEATURES

- Dense and resilient
- High performance 3/16" honeycomb shock pad
- Shock absorbing performance foam
- Natural ball bounce levels and fast indentation recovery
- Welded seams resulting in zero joints
- Phthalate-free, asthma and allergy friendly
- Guaranteed 15-year wear warranty

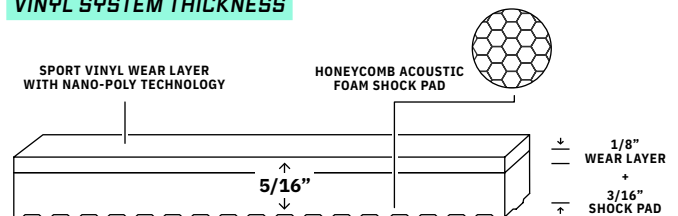
### VINYL SPECS

Rolls of vinyl are two-ply 5/16" system with a 1/8" sport vinyl nano-poly wear layer and a 3/16" honeycomb acoustic foam shock pad. 78" wide and cut to length.

#### ROLL WITH 3/16" HONEYCOMB ACOUSTIC FOAM SHOCK PAD



#### VINYL SYSTEM THICKNESS



### VINYL PRODUCT DATA

SURFACE	EMBOSSED, TEXTURED VINYL
SYSTEM THICKNESS	5/16"
SYSTEM WEIGHT	0.96 LB./SQ. FT.
FORCE REDUCTION	CLASS 2
WEAR LAYER PERFORMANCE GRADE	TYPE 1, GRADE 1, COMMERCIAL
IN-ROOM SOUND INSULATION	61 DB
MICROBIAL RESISTANCE	NO GROWTH
STAIN RESISTANCE	EXCELLENT
WARRANTY	15 YEARS (PRODUCT AND WEAR, MOISTURE TOLERANCE)

## 7 COLORS & UNLIMITED CUSTOMIZED BRANDING



Oak



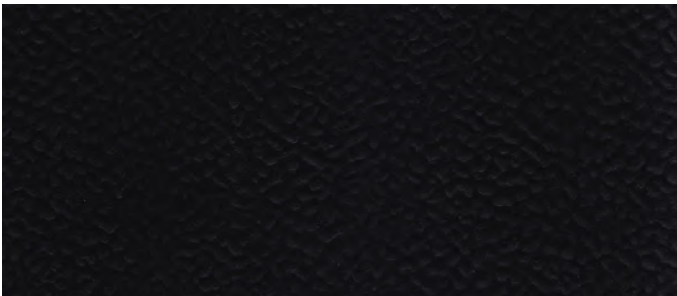
Beech



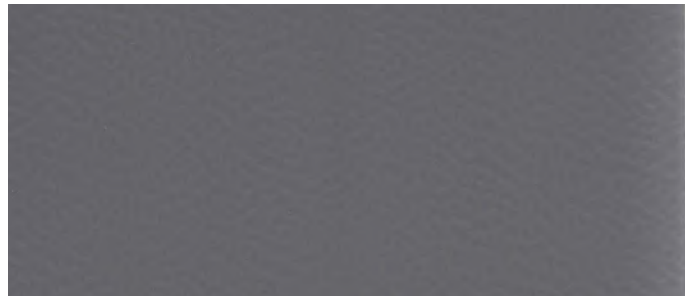
Maple



Gray Maple



Black



Gray



Blue

### LINE & LOGO COLORS



White

Black

Red

Blue



Yellow

Green

Gray

Contact for Options

Custom





Oak + Gray



Gray Maple



Beech



Beech

Lines & Logos



Blue

Lines & Logos



Maple